

Western Bluebird Nestbox Plans

Materials List

- Standard board 1" x 6" x 4' long
- Standard board 1" x 10" x 10 ½" long (for roof)
- 1¾" galvanized nails or screws—approx. 20
- 1¾" galvanized screw or nail for pivot point—2
- Galvanized nail for holding door closed—1



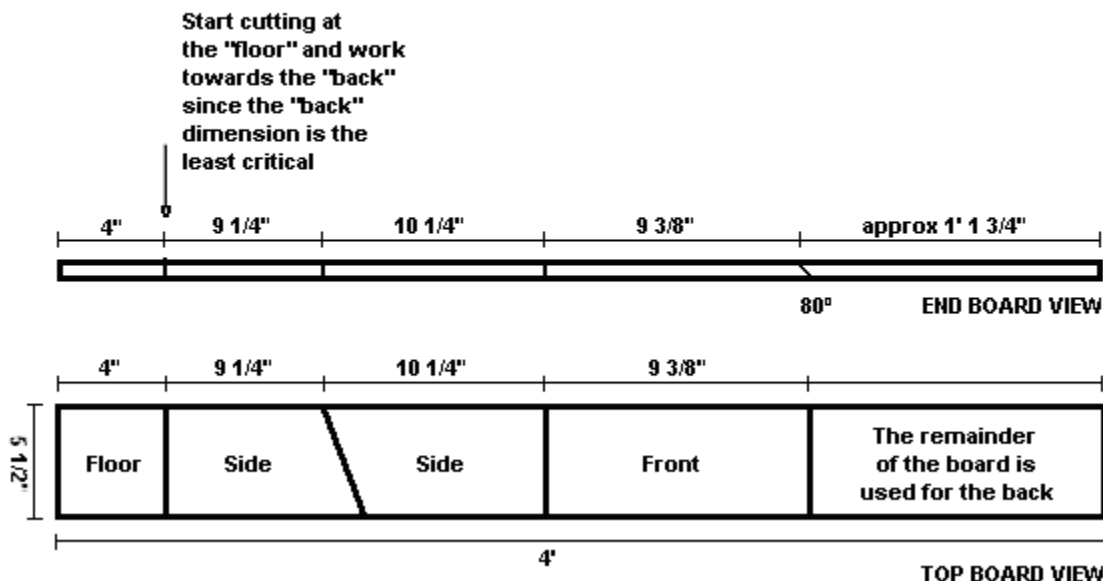
Note: Cedar is the preferred choice due to the wet weather conditions on southern Vancouver Island and in the Gulf Islands. Other types of wood can also be used, but are less durable. Use clear wood (knots tend to dry up or rot out, and create holes in the nestbox over time).

- Keep wood as natural as possible—painting boxes is not necessary
- **Make the entrance hole exactly 1 ½" in diameter to exclude invasive European Starlings and Eastern Grey Squirrels**

Our volunteers have perfected these boxes over time and like to pass along these important tips:

- the top of the side and front panels should be beveled (cut on an angle) so that the roof fits well; make sure to use screws to attach the roof (otherwise the roof comes off!)
- the door flap should have a little free play so that it doesn't swell shut in wet weather
- the nail hole (to secure the door flap shut) should be drilled bigger than the nail, and set at a downward angle to prevent the peg from falling out
- create a ventilation space by lowering the front and side pieces ¼" to ½" from the roof
- galvanized nails or deck screws are best for securing the door flap closed—otherwise they rust shut and the box cannot be opened for cleaning

BOARD DIAGRAM



CONSTRUCTION PLAN

